

LED HIGH BAY HIGH TEMPERATURE LIGHTS FL-07-G1 O(HT-SEP)



Better solutions for High Temperature Light

- IP66 water-proof**
- AC100-277V 50/60Hz**
- Easy Installation**
- 150Lm/W**

Operating Temp.: -40°C ~ +65°C
-40°C ~ +80°C

Storage Temp.: -40°C ~ +80°C



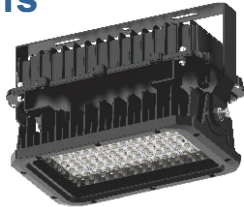
Options

Power	Color	Beam Angle
INVENTRONICS Driver	3000K	30°
	4000K	60°
	5000K	90°
	5700K	T2(117*34°)

Application

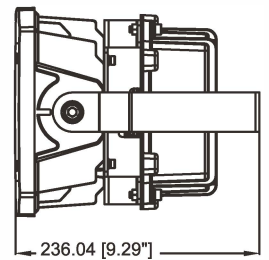
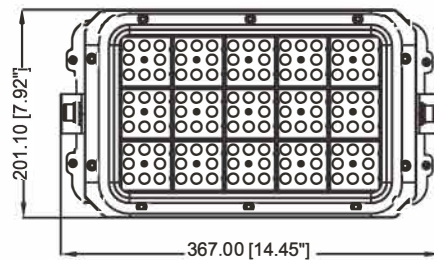
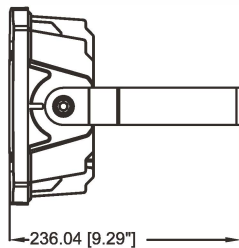
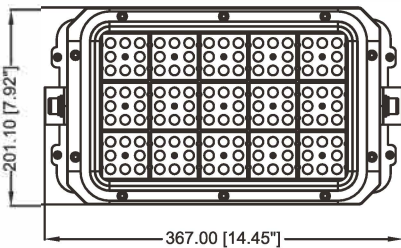
Steel Smelting Plants, Injection plant, Die casting plant, Ceramic factory,
Glass factory, Power plant, Manufacturing Plants & Warehouses
Farms and Industrial Installations.

Specifications



Item	FL150W-07-G10(HT)	FL200W-07-G10(HT)	FL150W-07-G10(HT)-SEP
Power	150W	200W	150W
Voltage	AC100-277V 50/60Hz	AC100-277V 50/60Hz	AC100-277V 50/60Hz
Power Factor	> 0.9	> 0.9	> 0.9
Luminous Efficacy	150 lm/W	150 lm/W	150 lm/W
Leds	SMD 5050	SMD 5050	SMD 5050
Beam Angle	30°/60°/90°/T2(117*34°)	30°/60°/90°/T2(117*34°)	30°/60°/90°/T2(117*34°)
CRI	> 70	> 70	> 70
CCT	3000K/4000K/5000K/5700K	3000K/4000K/5000K/5700K	3000K/4000K/5000K/5700K
Weight	7.2kg(15.9lbs)	7.2kg(15.9lbs)	4.0kg(8.8lbs)
Operating Temp	-40°C ~ +65°C	-40°C ~ +65°C	-40°C ~ +80°C

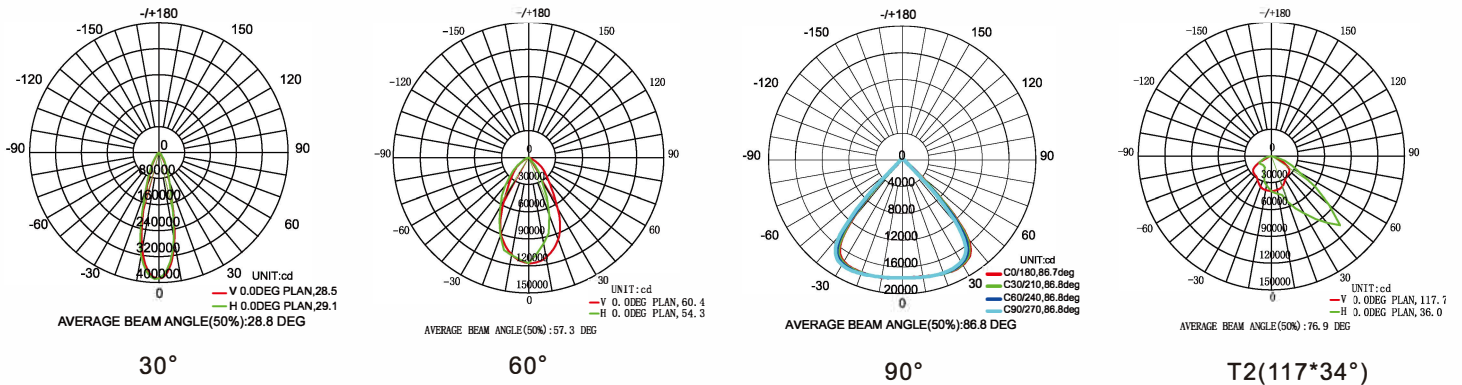
Dimensions(mm)



FL-07-G10(HT)

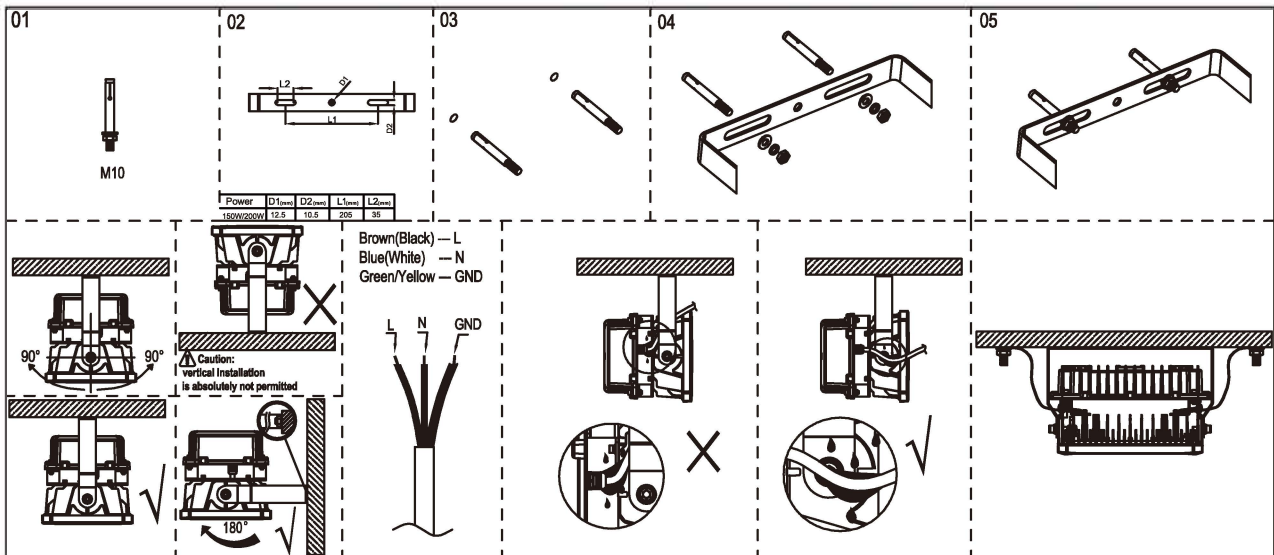
Led High Bay High Temperature Lights

Photometry

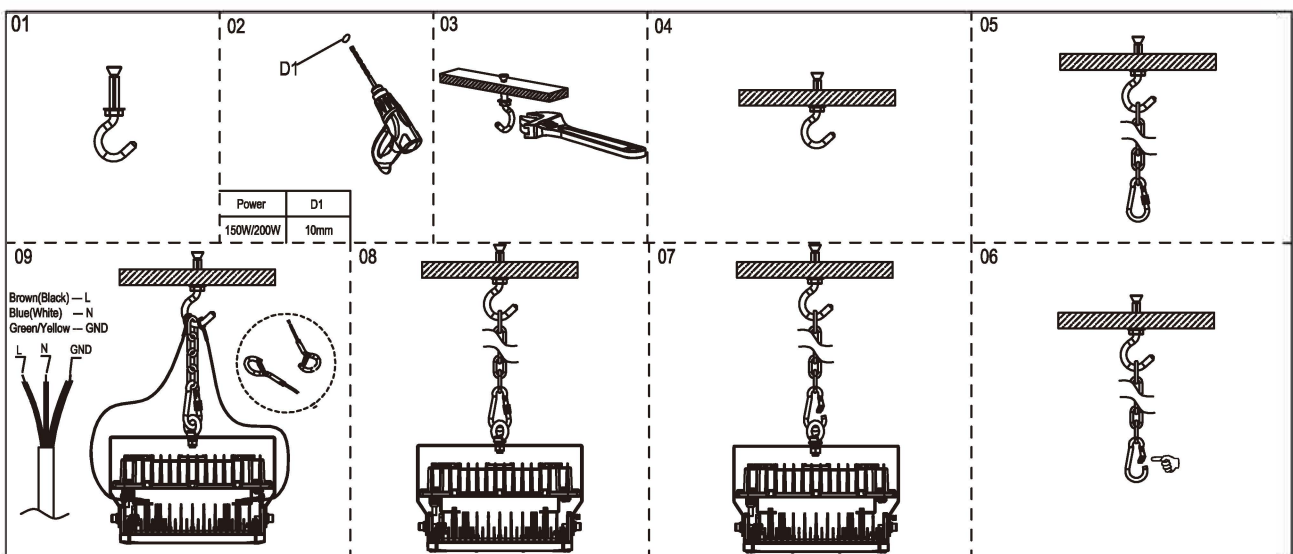


Installation and use

P1 Mounting Bracket



P2 Mounting Ring



Item	Box			Carton		
	Measurement(mm)	Gross weight	Pcs/box	Measurement(mm)	Gross weight	Pcs/box
FL150W/200W-07-G10(HT)	L420*W250*H290	8.5kg(18.7lbs)	1	/	/	/