

# LED Flood Light

## FL-06-G10(RGB/RGBW)



### Better solutions for Led Flood Light

- IP66 water-proof**
- AC100-240V 50/60Hz**
- Easy Installation**
- DC24V**
- RGBW**
- Operating Temp.: -20°C ~ +50°C**
- Storage Temp.: -40°C ~ +80°C**

### Options

#### Housing Color

Grey  
Black  
White

#### Control

DMX control

### Toepassingen

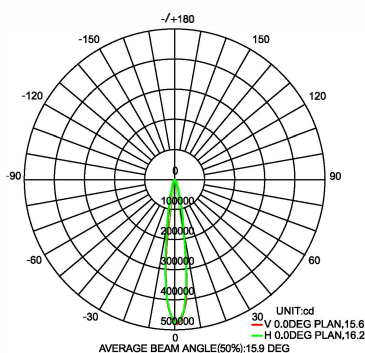
Led RGB/RGBW schijnwerpers worden voornamelijk gebruikt in billboards, gebouwen, architecturale exterieurdecoratie, landschapsverlichting, spoorwegstations, parkeergarages, schepen, bouwplaatsen, torenkranen, containerwerven, havens, industriële en commerciële exterieurverlichting decoratieve verlichting voor feestdagen, handelsbeurten, beurzen, tentoonstellingen en andere grootschalige buitentoepassingen



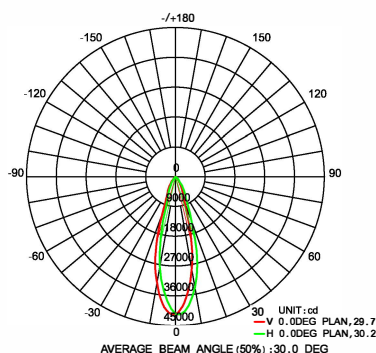
### Specificaties

Item	Power	Leds	CCT	Weight	Beam Angle
FL20W-06-G10(RGB/RGBW)	20W	RGB/RGBW	Multi-colored	2.00kg(4.41lbs)	20°/40°/60°
FL36W-06-G10(RGB/RGBW)	36W	RGB/RGBW	Multi-colored	3.25kg(7.17lbs)	20°/40°/60°
FL50W-06-G10(RGB/RGBW)	50W	RGB/RGBW	Multi-colored	3.25kg(7.17lbs)	20°/40°/60°
FL72W-06-G10(RGB/RGBW)	72W	RGB/RGBW	Multi-colored	4.80kg(10.6lbs)	20°/40°/60°
FL100W-06-G10(RGB/RGBW)	100W	RGB/RGBW	Multi-colored	4.80kg(10.6lbs)	20°/40°/60°

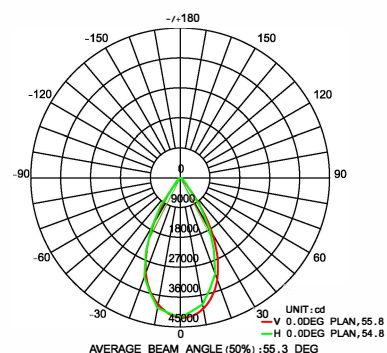
### Photometry



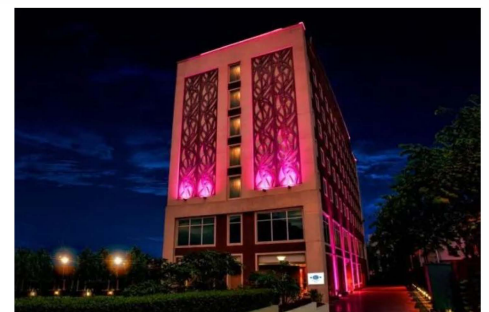
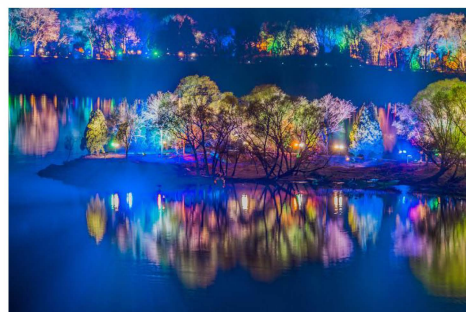
20°



40°

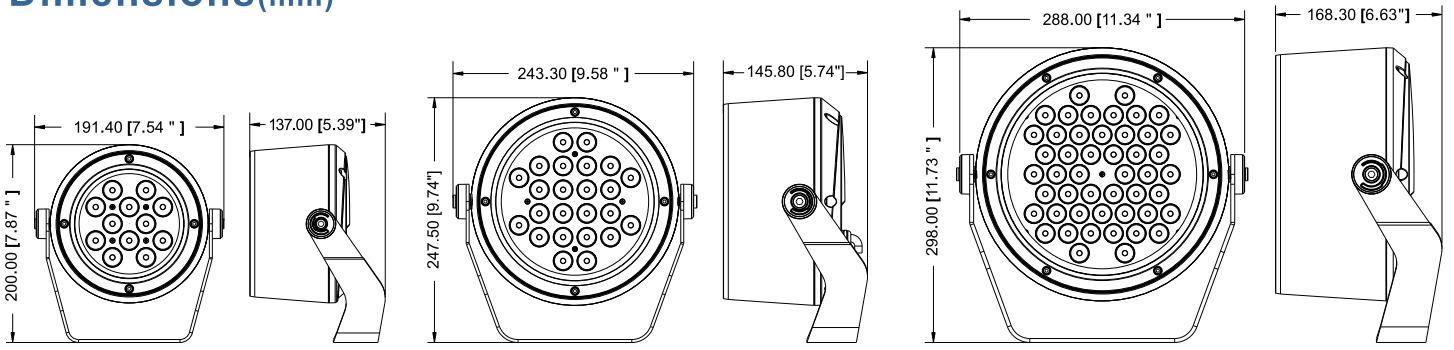


60°



# FL-06-G10(RGB/RGBW) LED Flood Lights

## Dimensions(mm)



20W

36W/50W

72W/100W

## Model Options



P1-20W



P1-36W/50W



P1-72W/100W



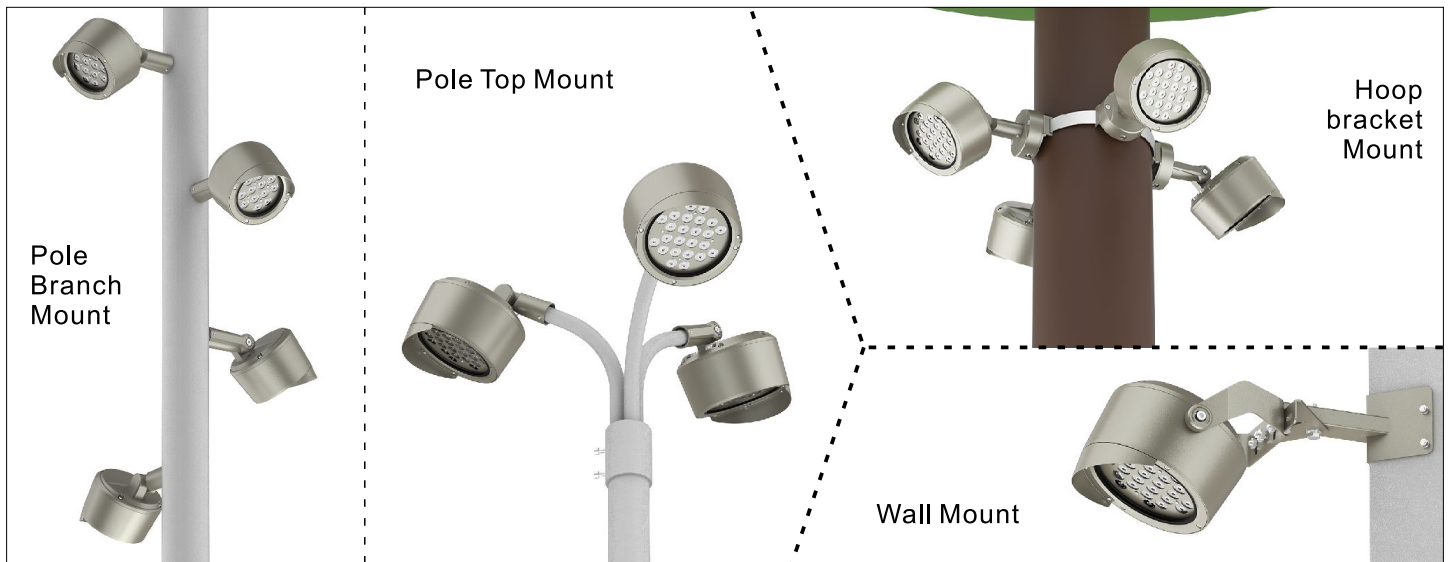
P2



P3



P4 MOQ: 200pcs



# FL-06-G10(RGB/RGBW) LED Flood Lights

## Installation and use

### P1 Yoke

01

M12(Optional)

02

Power	D1	D2	D3
20W	12.5mm	60mm	10.5mm
50W	12.5mm	80mm	10.5mm
100W	12.5mm	80mm	10.5mm

03

04

05

Mains AC line

Waterproof Connector

Brown(Black) --- L  
Blue(White) --- N  
Green/Yellow --- GND

### P2-1 Pole Installation

01

02

Power	D1	H1
20W	33mm	65mm
50W	33mm	65mm
100W	33mm	65mm

03

Waterproof Connector

Mains AC line

04

Brown(Black) --- L  
Blue(White) --- N  
Green/Yellow --- GND

05

### P2-2 square tube Bracket

01

Adapter\*1pcs (Standard)

02

03

04

05

Waterproof Connector

Mains AC line

Brown(Black) --- L  
Blue(White) --- N  
Green/Yellow --- GND

### P2-3 Pole Installation

01

Adapter\*1pcs (Standard)

02

Power	D1
20W	30mm
50W	30mm
100W	30mm

03

Waterproof Connector

Mains AC line

04

05

### P3 Wall Mount Bracket

01

02

Power	D1	L1
20W	10mm	65mm
50W	10mm	65mm
100W	10mm	65mm

03

04

Mains AC line

Waterproof Connector

05

Brown(Black) --- L  
Blue(White) --- N  
Green/Yellow --- GND

## Packing Spec

Item	Box			Carton		
	Measurement(mm)	Gross weight	Pcs/box	Measurement(mm)	Gross weight	Pcs/box
FL20W-06-G10-P1P2P3P4	L215*W215*H195	2.20kg(4.85lbs)	1	L455*W455*H215	9.50kg(20.9lbs)	4
FL36W/50W-06-G10-P1P2P3P4	L255*W255*H220	3.50kg(7.72lbs)	1	L535*W535*H240	15.0kg(33.1lbs)	4
FL72W/100W-06-G10-P1P2P3P4	L325*W325*H245	5.10kg(11.2lbs)	1	L675*W340*H265	11.0kg(24.3lbs)	2